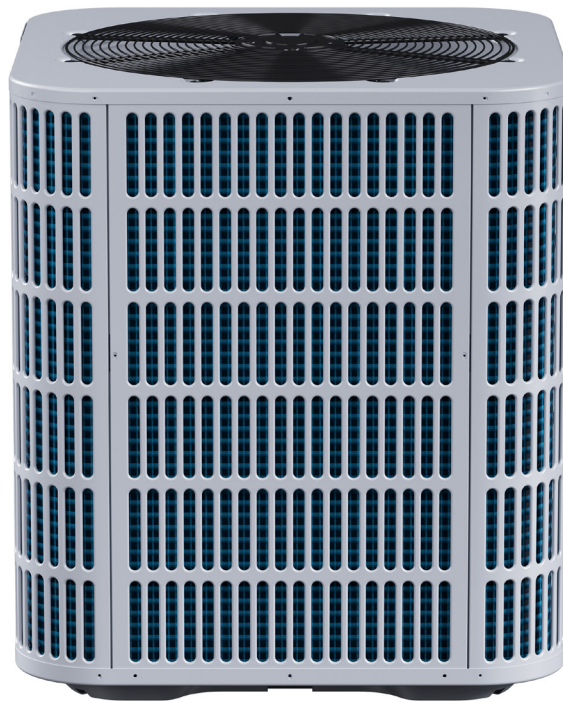
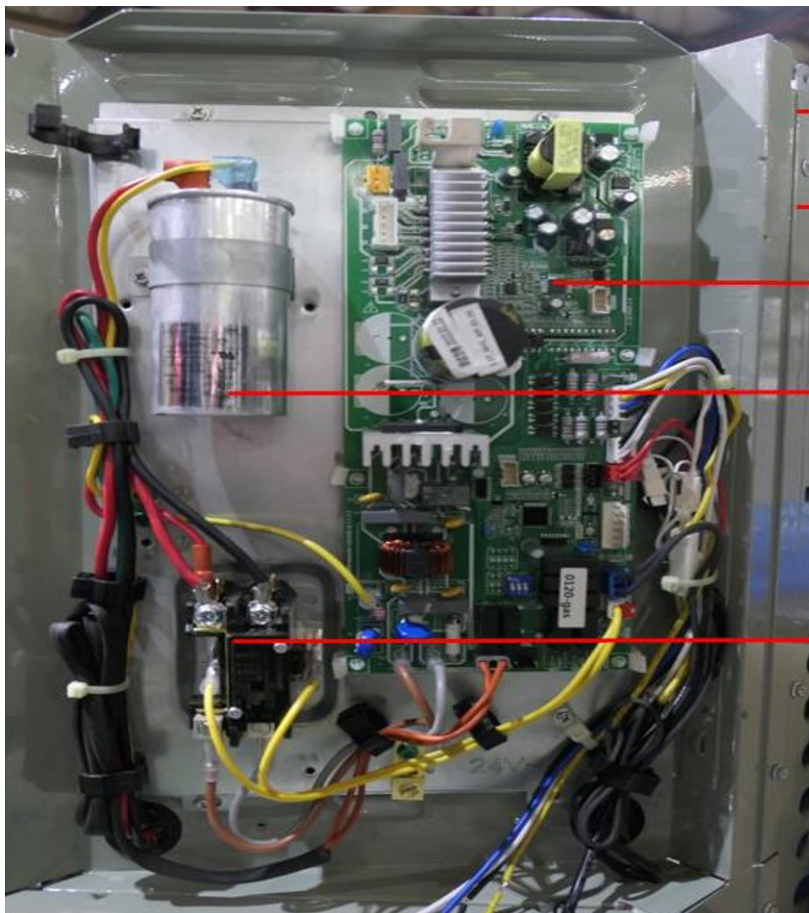
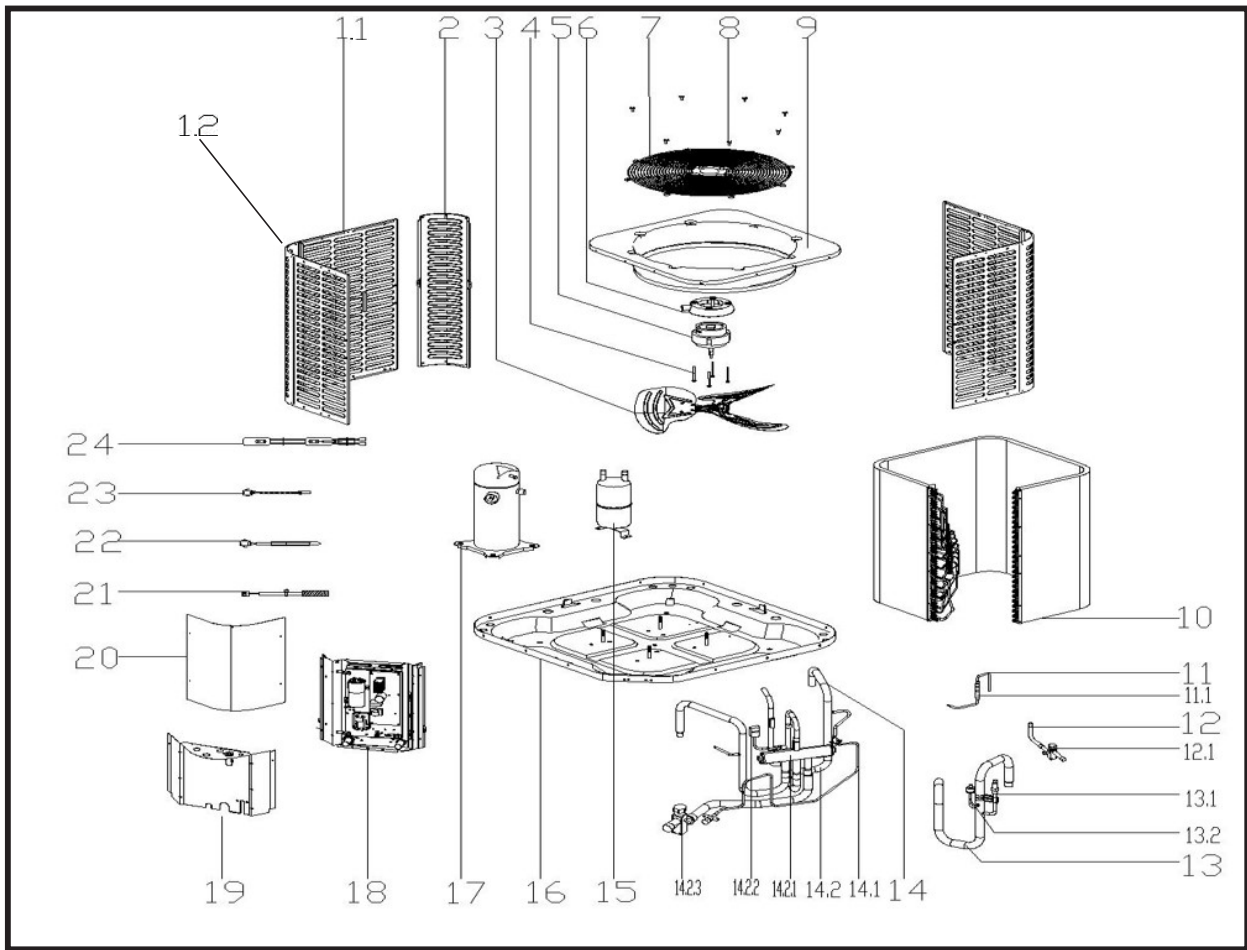




## Split System Heat Pump

RSH1560S1A  
Parts List





18

18.1

18.2

18.3

18.4

EX_ID	Spare Parts Code	Part Name(EN)	Qty.	Recommend store spare parts
1.1	12223000A02870	Side panel assembly	2	
1.2	12223000A02929	Side panel assembly	2	
2	12223000002572	Side panel assembly	3	
3	12200104000032	Axial Flow Fan	1	YES
4	11301805000012	Motor Mounting bolt	4	
5	11002015015328	Brushless DC Motor	1	YES
6	12123000000464	Motor installation board ass'y	1	
7	12227700003729	Top Cover	1	
8	11301002000001	Stainless steel bolts	8	
9	12223000001094	Top cover assembly	1	
10	15823000004783	Condensor ass'y	1	YES
11	15423000004618	Throttle assembly	1	YES
11.1	15500210000376	Throttle	1	YES
12	15423000003178	Stop valve ass'y	1	
12.1	15500206000018	Block valve	1	YES
13	15423000005731	Suction pipe ass'y	1	
13.1	15427000001439	Fusible plug assembly	1	
13.2	17400516000149	Pressure switch	1	YES
14	15423000005729	4-way valve ass'y	1	YES
14.1	15123000013420	Pipe joint ass'y	1	YES
14.2	15423000005725	4-way valve assembly	1	YES
14.2.1	15500216002243	4-way valve ass'y	1	YES
14.2.2	17400516000032	Pressure switch	1	YES
14.2.3	15500206000017	Bar-Stock Service Valve	1	YES
15	15500508001115	Accumulator cylinder	1	
16	12223000005894	Base assembly	1	
17	11102010001184	Fixed Speed Scroll compressor	1	YES
18	17223000008827	E-part box assembly	1	
18.1	12223000015849	Installation plate of electric parts subassembly	1	
18.2	17123000A03565	Outdoor main control board assembly	1	YES
18.3	17400103000133	Capacitor	1	
18.4	11203502000032	AC contactor	1	YES
19	12223000016090	Side panel assembly	1	
20	12223000A05994	Side panel assembly	1	
21	17400513003814	Discharge Temperature switch	1	YES
22	11201007000073	Room Temperature Sensor	1	YES
23	11201007000136	Pipe Temperature Sensor	1	YES
24	17402001000033	Crankcase electric heater	1	YES
22	11201007000073	Room Temperature Sensor	1	YES
23	11201007000136	Pipe Temperature Sensor	1	YES
24	17402001000033	Crankcase electric heater	1	YES

Due to ongoing product improvements, specifications and dimensions are subject to change and correction without notice or incurring obligations. Determining the application and suitability for use of any product is the responsibility of the installer. Additionally, the installer is responsible for verifying dimensional data on the actual product prior to beginning any installation preparations.

Incentive and rebate programs have precise requirements as to product performance and certification. All products meet applicable regulations in effect on date of manufacture; however, certifications are not necessarily granted for the life of a product. Therefore, it is the responsibility of the applicant to determine whether a specific model qualifies for these incentive/rebate programs.

*Comfort-Cire*<sup>®</sup>  **Century**<sup>®</sup>